

FlexGrip II nozzles - 145 mm and 250 mm

Grips tight on exhaust pipes
With a 3", 4", 5" or 6" straight hose connector

Fire engines and trucks

The FlexGrip II Nozzle is designed as an oval nozzle without air activation and it is developed for fire engines and trucks etc.

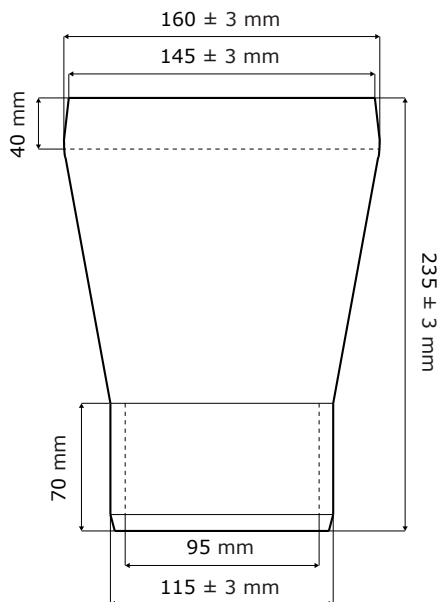
Kevlar covering makes the nozzle comfortable to work with and reduces friction.

The nozzle is hand operated and can grip on exhaust pipes situated very close to the car body. The thin elastic hold zone gives a tight grip on the exhaust pipe which makes the nozzle energy saving and noise limiting.

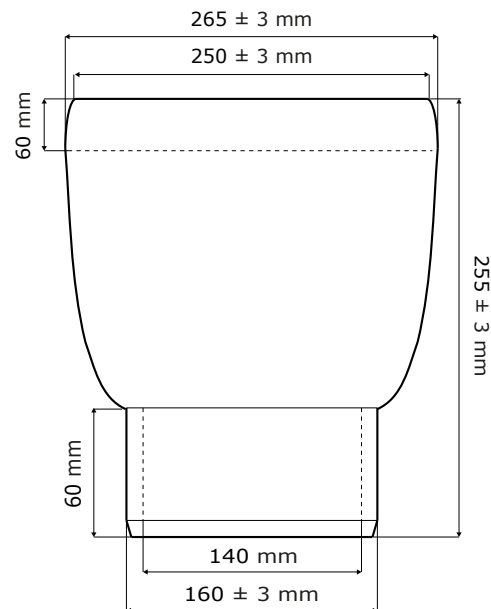
The FlexGrip II nozzle is available in different sizes and with/without hose connector.



FlexGrip II 145 mm

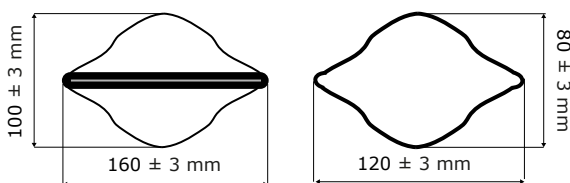


FlexGrip II 250 mm



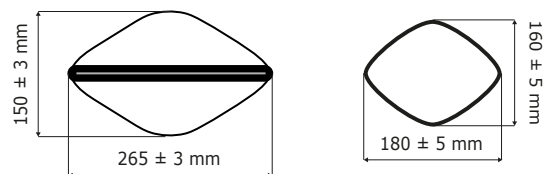
Closed

Open



Closed

Open



PRODUCT NO.	SLEEVE OPENING	HOSE CONNECTOR DIAMETER	HOSE CONNECTOR TYPE	EXHAUST PIPE SIZE	MIN. PRESSURE	MAX. TEMPERATURE
220500	145 mm	4" (101 mm)	No hose connector	ø20 / ø75	500 Pa	+160°C
220580	145 mm	3" (76 mm)	Reduction, clip band w/rubber band	ø20 / ø75	500 Pa	+160°C
220600	145 mm	4" (101 mm)	4" built-in aluminium pipe	ø20 / ø75	500 Pa	+160°C
220700	250 mm	6" (151 mm)	No hose connector	ø50 / ø125	500 Pa	+160°C
220800	250 mm	4" (76 mm)	Reduction, clip band w/rubber band	ø50 / ø125	500 Pa	+160°C
220925	250 mm	5" (126 mm)	Reduction, clip band w/rubber band	ø50 / ø125	500 Pa	+160°C
220960	250 mm	6" (151 mm)	6" built-in hose connector	ø50 / ø125	500 Pa	+160°C