

## Oval pneumatic nozzles 200/100 mm - 4" hose connector

With hand pump  
With 4" hose connector

Single and double exhaust pipes on  
private cars and commercial vehicles

The oval nozzle can be activated by hand pump at ½ bar pressure. The hand pump is supplied with a release valve for deactivation of the nozzle.

The nozzle is ideal for exhaust gas extraction from car repair shops, vehicle inspection garages and fire stations etc.

The nozzle can be used for single and double exhaust pipes.

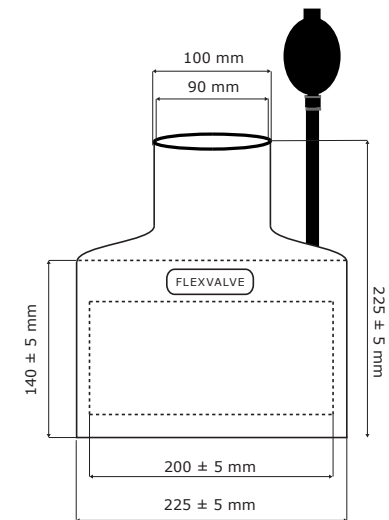
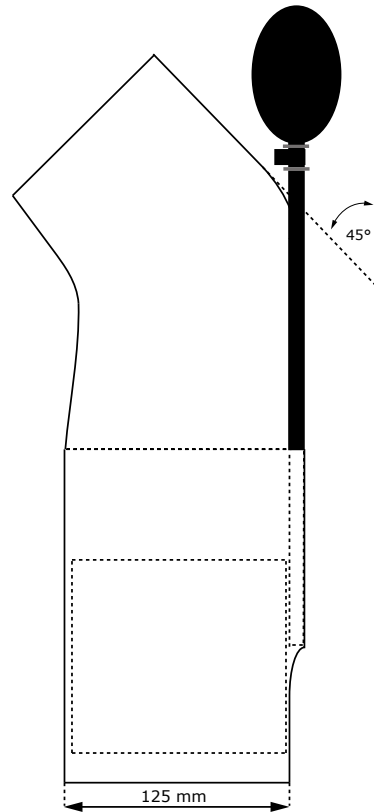
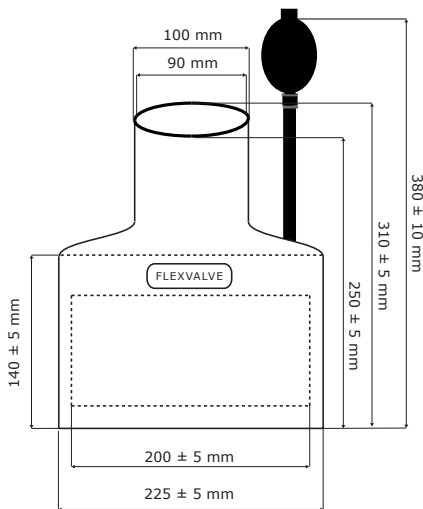
The most common sizes are 150/80 mm and 200/100 mm but other diameters are available upon request.

Your company name and logo can be stamped into the nozzle.

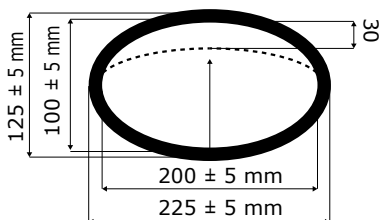


45° bend hose connector

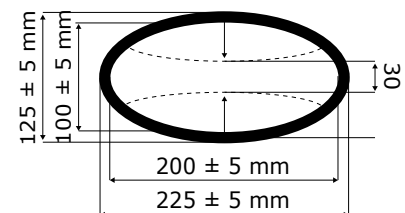
Straight hose connector



200/100 1 side



200/100 2 sides



PRODUCT NO.	NOZZLE SIZE (MM)	NOZZLE EXPANSION	HOSE CONNECTOR	EXHAUST PIPE SIZE	WEIGHT (GRAM)	MAX. TEMPERATURE
241203	200/100	1 side	Straight	Ø30 / Ø125	1220	+150°C
241204	200/100	2 sides	Straight	Ø30 / Ø125	1220	+150°C
241213	200/100	1 side	45° bend	Ø30 / Ø125	1340	+150°C
241214	200/100	2 sides	45° bend	Ø30 / Ø125	1340	+150°C